

# INSTRUCTIONS

## **WARNING**

You must fully read, understand and follow these warnings and instructions (written and video)! Failure to follow these instructions may cause serious injury or death!!

You **MUST** also view the enclosed DVD **BEFORE** using your new treestand!!

### **WEIGHT LIMITS**

**260 LBS. TOTAL\***

**DO NOT EXCEED THIS LIMIT!**  
*(\* Includes all gear)*

**Stand minimum and maximum tree size: 8-30" diameter**

**SUMMIT**  
EST. 1981  
**TREESTANDS**

**Summit Trophy Chair**

PN 82023

- **ANYTIME THIS TREE SEAT IS USED IN CONJUNCTION WITH AN ELEVATED PLATFORM, SUCH AS THE SUMMIT BASIC SYSTEM, IT IS MANDATORY THAT A FULL BODY SAFETY HARNESS BE USED!!**
- IT IS IMPORTANT TO NOTE THAT A TREESTAND FALL CAN OCCUR AT ANY TIME AFTER LEAVING THE GROUND!
- NEVER ALLOW THE SAFETY HARNESS TETHER TO GET UNDER OR AROUND YOUR NECK!
- YOU MUST FULLY READ, UNDERSTAND AND FOLLOW THESE INSTRUCTIONS! PLEASE CONTACT SUMMIT TREESTANDS IF YOU HAVE ANY QUESTIONS ON THE USE OF THIS PRODUCT! FAILURE TO FOLLOW THESE INSTRUCTIONS MAY CAUSE SERIOUS INJURY OR DEATH!!
- BEFORE USING ANY TREESTAND, BE SURE YOU MAINTAIN FULL BODY SAFETY HARNESS ATTACHMENT TO THE TREE AT ALL TIMES AFTER LEAVING THE GROUND!!! YOU MUST STAY CONNECTED TO YOUR FALL ARREST SYSTEM AT ALL TIMES AFTER LEAVING THE GROUND!
- DO NOT USE THIS OR ANY OTHER TREESTAND IF YOU HAVE BEEN USING DRUGS (EVEN PRESCRIPTION) OR ALCOHOL OR ARE PHYSICALLY IMPAIRED IN ANY WAY! NEVER USE A TREESTAND WHEN FEELING ILL, NAUSEOUS OR DIZZY!
- FOR YOUR SAFETY, DO NOT USE ANY TREESTAND DURING RAIN, LIGHTNING, WINDSTORMS, WHEN TREES ARE WET OR ICY, OR ON TREES THAT ARE LEANING, TREES THAT APPEAR DEAD OR DISEASED OR ON UTILITY POLES!!! NEVER RELY ON A TREE BRANCH FOR SUPPORT!
- DO NOT USE ANY TREESTAND IF YOU HAVE NOT FOLLOWED THE MANUFACTURERS CARE AND MAINTENANCE GUIDELINES! NEVER MODIFY YOUR STAND BY MAKING REPAIRS, REPLACING PARTS, ALTERING PARTS OR ATTACHING ANYTHING TO IT UNLESS EXPLICITLY AUTHORIZED BY SUMMIT TREESTANDS!
- ALWAYS INSPECT THE STAND / CABLE SYSTEM OR HANGING STRAPS AND ANY SAFETY GEAR BEFORE EACH USE! IF ANY PROBLEMS ARE FOUND - DO NOT USE THE STAND! CONTACT CUSTOMER SERVICE FOR THE APPROPRIATE REPAIR / REPLACEMENT PROCEDURE!
- IT IS IMPORTANT THAT YOU REMEMBER TO BE PREPARED IF YOU HAPPEN TO FALL AND EMPLOY YOUR SAFETY HARNESS WHILE IN A TREESTAND. STAY CALM AND DO NOT PANIC. YOU MUST BE PREPARED TO RECOVER FROM YOUR FALL BY EITHER CLIMBING BACK ONTO YOUR TREESTAND OR USING A DEVICE SUCH AS THE "TREE DESCENDER" (AVAILABLE FROM SUMMIT, WWW.SUMMITSTANDS.COM, 256-353-0634). PRIOR TO HUNTING: YOU MUST NOTIFY SOMEONE OF YOUR HUNTING LOCATION AND WHEN YOU WILL RETURN!
- DO NOT USE ANY TREESTAND UNLESS YOU ARE IN GOOD PHYSICAL SHAPE. THE ABILITY TO DO SEVERAL PUSH-UPS, CHIN-UPS, SIT-UPS, ETC. IS REQUIRED FOR YOUR SAFETY!
- ALWAYS USE A HAUL LINE TO RAISE AND LOWER UNLOADED FIREARMS AND BOWS! FIREARMS MUST BE PULLED UP UNLOADED, CHAMBER OPEN AND MUZZLE DOWN!
- NEVER CLIMB WITH ANYTHING IN YOUR HANDS OR ON YOUR BACK - USE A HAUL LINE!
- PRACTICE USING YOUR TREESTAND AND SAFETY HARNESS AT A LOW LEVEL (BASE OF TREE) UNTIL YOU MASTER ITS USE!
- BE WELL RESTED AND NEVER GET IN A HURRY. HURRYING CAUSES ACCIDENTS!!
- INSTRUCTIONS (WRITTEN AND VIDEO) SHOULD BE REVIEWED AT LEAST ANNUALLY. IF YOU LOAN OR SELL THIS TREESTAND, IT IS YOUR RESPONSIBILITY TO FURNISH THE BUYER A COPY OF THESE INSTRUCTIONS AND THE VIDEO THAT CAME WITH THE TREESTAND. MAKE SURE THEY WATCH THE VIDEO AND READ / UNDERSTAND THE INSTRUCTIONS!

Summit products are manufactured under one or more of the following US Patents: 5,937,969; 5,971,104; 5,975,242; 5,979,603; 6,125,966; 6,182,792; 6,397,973; D,417,011; D,420,147; D,575,411

Summit Bucksteps are Patent Pending



FORM# 18012

# 1 INDEX

GENERAL WARNINGS AND PRECAUTIONS, STAND WEIGHT LIMITS  
 SECTION 1 - INDEX  
 SECTION 2 - PARTS LIST  
 SECTION 3 - TOOLS REQUIRED  
 SECTION 4 - ASSEMBLY  
 SECTION 5 - INSTALLATION AND USE  
 SECTION 7 - MAINTENANCE AND CARE  
 SECTION 9 - LIMITED WARRANTY

PG 1  
 PG 2  
 PG 2  
 PG 2  
 PG 2 - 3  
 PG 4  
 PG 4  
 PG 4

# 2 PARTS LIST

Please call 256-353-0634 or visit <http://www.summitstands.com/contactus/> if you have any questions, if you need replacement parts, if you have any missing parts or if the included DVD does not play.

## TROPHY CHAIR BOX CONTENTS

PN	DESCRIPTION	QTY
10922	SEAT POST ASSEMBLY	1
71121	ARM SUPPORT ASSEMBLY	1
85037	FOAM SEAT	1
72023	ACCESSORY PACKET	1

## 22023 - HARDWARE PACKET CONTENTS

PN	DESCRIPTION	QTY
10641	SHORT SHANK BUSHING	6
10605	3/4" BOLT (1/4 x 20)	4
10612	LOCK NUT (1/4 x 20)	4
10628	SELF TAPPING SCREW	2

## 72023 - ACCESSORY PACKET CONTENTS

PN	DESCRIPTION	QTY
22023	HARDWARE PACKET	1
	12" FOAM ARM PAD	2
10656	IN-LINE CABLE TIES	4
30325	CAM BUCKLE TREE STRAP	1
30285	TOURNIQUET BUCKLE STRAP (GREEN)	1
	INSTRUCTIONAL DVD	1
	WRITTEN INSTRUCTIONS	1

# 3 TOOLS REQUIRED

### Tools

- 7/16" Wrench / Socket with Ratchet
- Phillip's Head Screw Driver
- Knife or snips

### Use

- Bolts
- Self Tapping Screws
- In-Line Cable Tie trimming

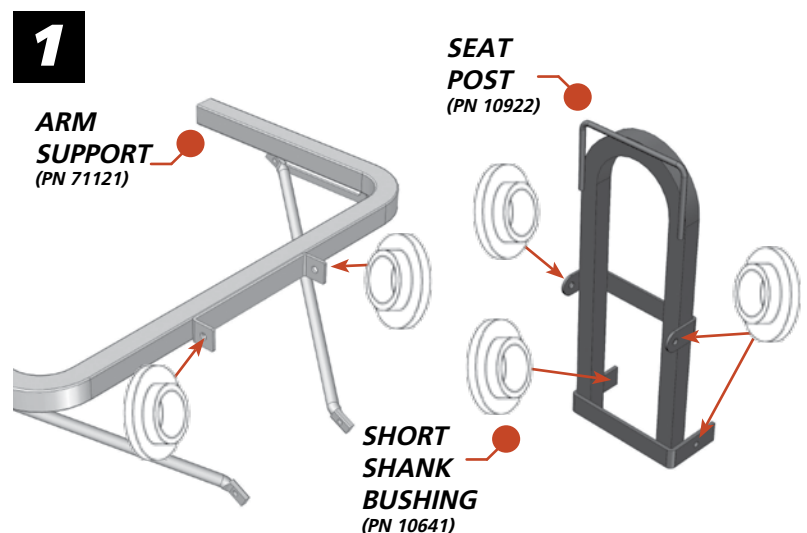
# 4 ASSEMBLY

## TROPHY CHAIR ASSEMBLY

**Step 1.** Place two short shank bushings on the **outside** of the bracket on the Arm Support Assembly as shown in **Figure 1**.

**Step 2.** Place two short shank bushings on the **outside** of the middle bracket on the Seat Post as shown in **Figure 1**.

**Step 3.** Place two short shank bushings on the **outside** of the lower bracket on the Seat Post as shown in **Figure 1**.



## TROPHY CHAIR ASSEMBLY (continued)

**Step 4.** Position the Arm Support and Seat Post as shown in **Figure 2**. Secure with two 3/4" bolts and lock nuts. Wrench tighten.

**Step 5.** Position the Support rod as shown in **Figure 2**. Secure each side using one 3/4" bolt with lock nuts. Do not overtighten as this connection is designed to pivot. The Seat Frame should slide and pivot. If it does not, slightly loosen bolt.

**Step 7.** Position seat then slide it down onto the Arm Support Bar as shown in **Figure 3**.

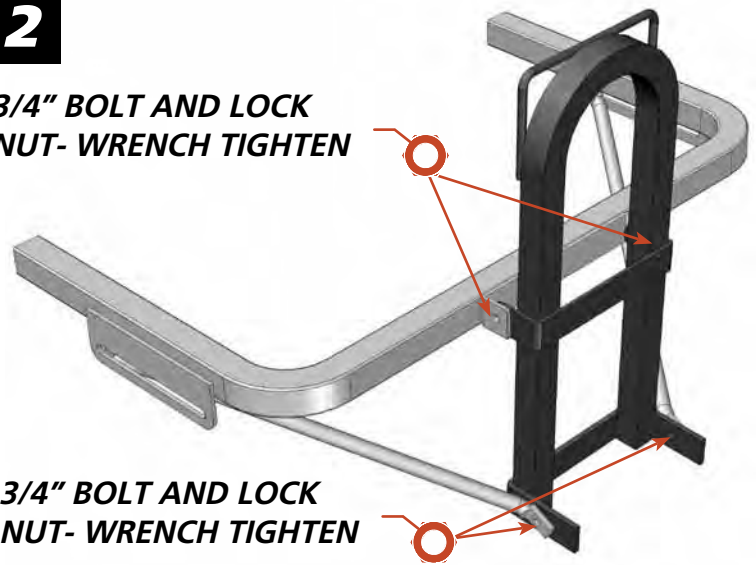
**Step 8.** Use two self tapping screws to secure the seat webbing to the Arm Support bar. Run the screws in from the side as shown in **Figure 4**. A powered screw driver works best for this step.

**Step 9.** Position the arm rest pads as shown in **Figure 5**. The cable ties for attaching the pads are "in-line" cable ties: Note the correct and incorrect ways of attaching. To attach - pull the cable ties snug, cut off the excess, and rotate the clasp to the underside of the pad. Use two cable ties per pad.

**Step 10.** Push the looped end of the cam buckle strap through the welded wire loop on the top of the Seat Post. Loop the strap and buckle back through the sewn loop to create a cinch knot as shown in **Figure 6**.

**2**

**3/4" BOLT AND LOCK NUT- WRENCH TIGHTEN**



**3/4" BOLT AND LOCK NUT- WRENCH TIGHTEN**



**5**

**IN-LINE CABLE TIES (PN 10656)**



**IN-LINE CABLE TIES (PN 10656)**

**ARM PAD (PN 74223)**

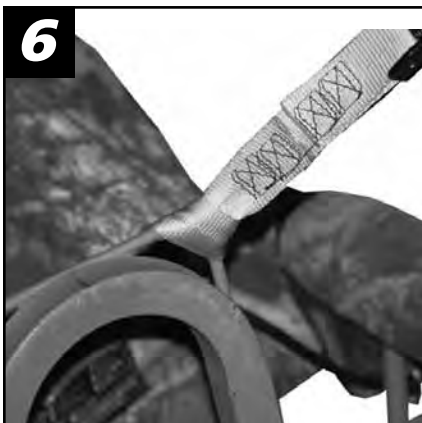
**Correct**



**Incorrect**



**6**



**7**



**8**



## 5 INSTALLATION AND USE

### CARRYING YOUR TROPHY CHAIR

To carry the Trophy Chair, first fold it flat. Next, take the supplied green tourniquet buckle strap and wrap it around the frame to secure it as shown in **Figure 7**. Take the long cam buckle tree strap and bring it over your shoulder. Clip the double J-Hook into the Support Rod slide to secure as shown in **Figure 8**.

### ATTACHING TO A TREE

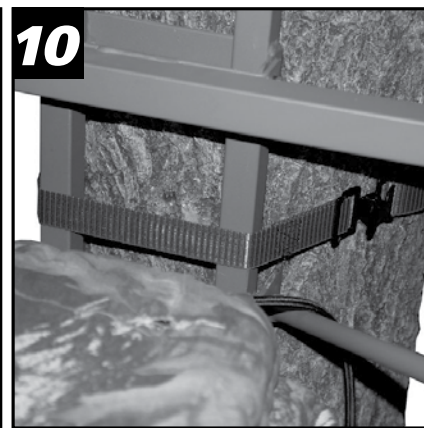
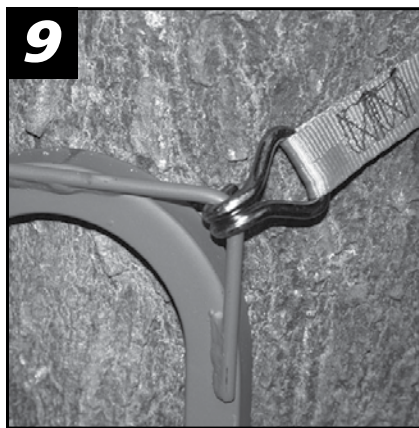
**Step 1.** Wrap the cam buckle strap around the tree and hook the double J-Hook into the seat frame as shown in **Figure 9**.

**Step 2.** Pull the free end of the strap until tight.

**Step 3.** Push down on the chair to seat it on the tree.

**Step 4.** Wrap the supplied green tourniquet buckle strap the frame and the tree to secure (**See Figure 10**).

**Step 5.** Secure the seat back to the tree by wrapping the bungee cord around the tree and clipping it to its self.



[www.summitstands.com](http://www.summitstands.com)  
[www.mysummitgear.com](http://www.mysummitgear.com)

## 6 MAINTENANCE AND CARE

We recommend that your Trophy Chair be removed and stored in a dry place when not in use.

The powdercoat finish applied at the factory is very durable and should only need touch ups in areas of heavy wear or accidental impact.

Should you damage any part of your Summit Treestand, contact your nearest authorized Summit dealer or the factory to obtain the proper corrective action procedure and/or replacement parts for the treestand.

### ⚠ CAUTION

Look for nicks, gouges, cuts, cracks, bends, corrosion or similar damage that can be the result of improper use or accidental damage. For instance, this could occur if someone else used the treestand without knowledge of its proper use, or if the treestand were dropped, hit by a motor vehicle or subject to corrosive conditions, etc.

Summit Treestands have the highest structural integrity by design, material selection and manufacturing techniques, but as its owner, only your continued care will assure trouble free performance. When the above-mentioned guidelines are followed, your Summit Treestand will provide years of successful hunting.

## 7 WARRANTY

### Limited Warranty

#### (A) Warranty

Summit Treestands, LLC (Summit) warrants to the original retail purchaser that all products manufactured by it are free from defects in material and manufacture at the time of shipment for sixty (60) months from the date of purchase. Summit will repair or replace any part found defective if the unit claimed to be defective shall be returned to Summit, postage prepaid, within the warranty period.

This warranty shall not apply to any product which has been subjected to misuse; misapplication; neglect (including but not limited to improper maintenance); accident; improper installation; modification (including but not limited to use of unauthorized parts or attachments); adjustment or repair. THE FOREGOING IS IN LIEU OF ALL OTHER WARRANTIES, WHETHER EXPRESS OR IMPLIED (INCLUDING THOSE OF MERCHANTABILITY AND FITNESS OF ANY PRODUCT FOR A PARTICULAR PURPOSE), AND OF ANY OTHER OBLIGATION OF LIABILITY ON THE PART OF THE COMPANY.

#### (B) Limitation of Liability

It is expressly understood that Summit's liability for its products, whether due to breach of warranty, negligence, strict liability, or otherwise, is limited to the repair of the product, as stated above, and Summit will not be liable for any other injury, loss, damage, or expense, whether direct or consequential, including but not limited to loss of use, income, profit, or damage to material, arising in connection with the sale, installation, use of, inability to use, or the repair or replacement of Summit's products.

Summit reserves the right to make alterations or modifications in its products at any time, which in its opinion, may improve the performance and efficiency of the product. It shall not be obligated to make such alterations or modifications to products already in service.

Please take the time to fill out the warranty card online at <http://www.summitstands.com/warranty> or fill out and mail in the enclosed warranty card.